

Talis Classic
Single lever bath mixer for exposed installation
 Surfaces: **Chrome** Article Number: **14140000**



Description

product features

- projection 184 - 191.5 mm
- connection type: s-shaped connections
- centre distance: 150 ± 12 mm
- spray type mixer: normal spray
- flow rate for bath spout at 3 bar: 20 l/min
- flow rate of hand shower at 3 bar: 16 l/min
- ceramic cartridge
- min. operating pressure: 1 bar
- max. operating pressure: 10 bar
- temperature limitation adjustable
- with automatic resetting
- intrinsically safe against backflow
- with silencer
- suitable for continuous flow water heaters
- connection dimension: DN15
- DVGW NW-6506CL0483
- ETA VA 1.42/18018
- ACS 17 ACC LY 742, valide jusqu'au 05.05.2021
- WRAS 1607014
- Kiwa K6161_Mechanical Mixers EN817
- SINTEF 1435

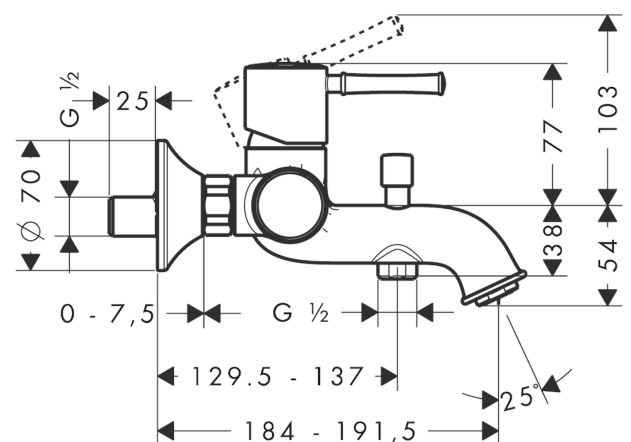
Technology



Product image



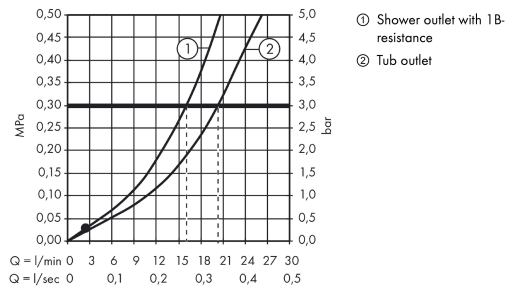
Scale drawing



Talis Classic
Single lever bath mixer for exposed installation
 Surfaces: **Chrome** Article Number: **14140000**



Flowchart

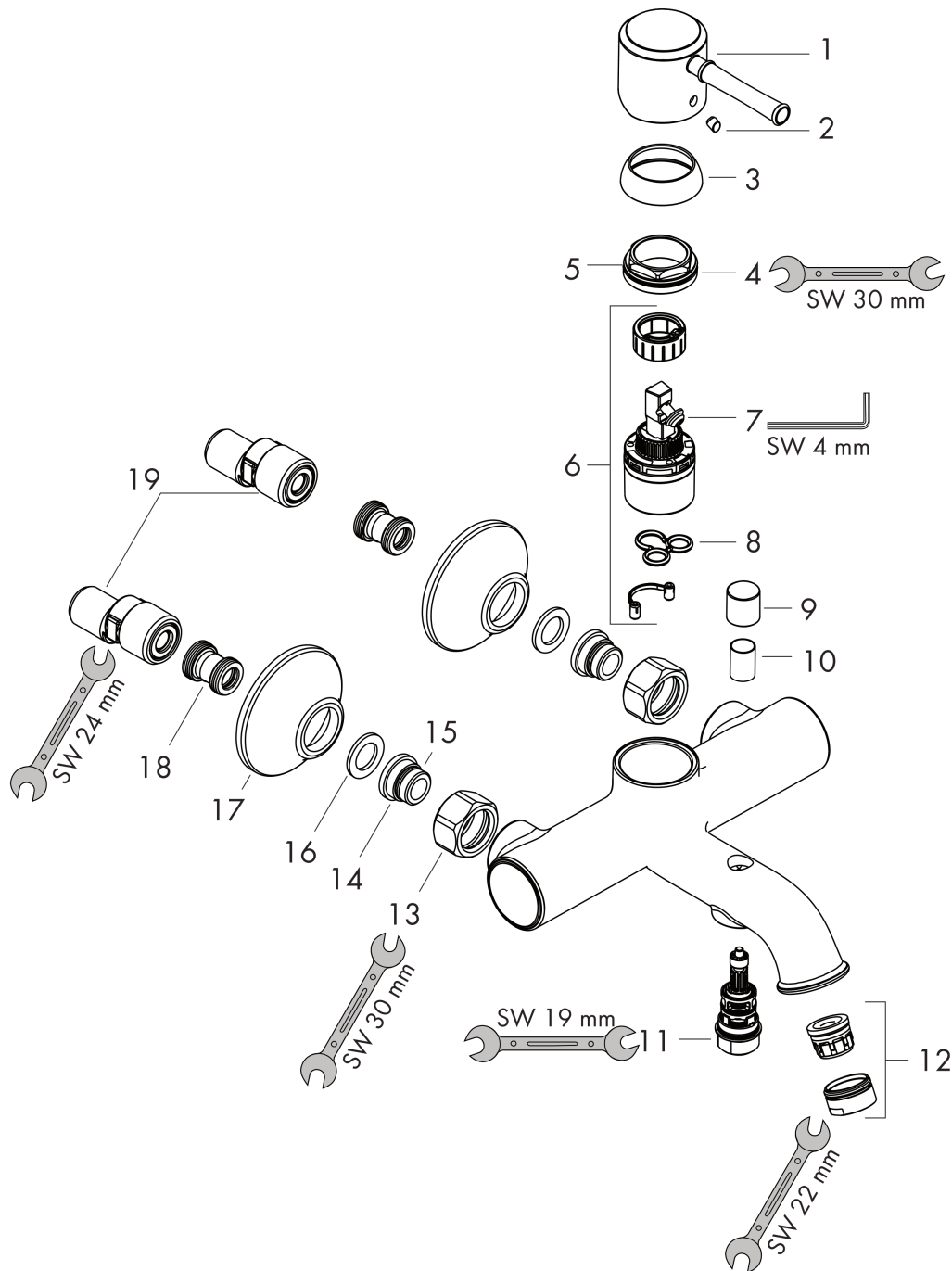


Talis Classic
Single lever bath mixer for exposed installation
 Surfaces: **Chrome** Article Number: **14140000**



Exploded Drawing

Year of production: >06/14



Talis Classic
Single lever bath mixer for exposed installation
 Surfaces: **Chrome** Article Number: **14140000**



Spare part list

Year of production: >06/14

Pos.	Description	Article Number	PC	PU
1	handle	14193000	8	1
2	screw cover	96338000	1	1
3	flange	97406000	6	1
4	nut	97209000	5	1
5	O-Ring 32x2	98193000	1	1
6	cartridge, assy	92730000	11	1
7	locking screw for handle	95140000	2	1
8	seal	95008000	3	1
9	diverter knob	97981000	6	1
10	sleeve	97979000	5	1
11	selector	97978000	11	1
12	aerator M24x1 (30 l/min)	96512000	5	1
13	set of nuts	96157000	8	1
14	connecting thread	97220000	5	1
15	O-ring 15x2	98163000	1	1
16	filter packing	96922000	3	1
17	escutcheon Ø 70 mm	96346000	6	1
18	noise reduction	96429000	2	1
19	set of S-unions (±12 mm)	94140000	10	1
a	set of S-unions (±32 mm)	98592000	9	1
b	diverter fixing device	97211000	1	1